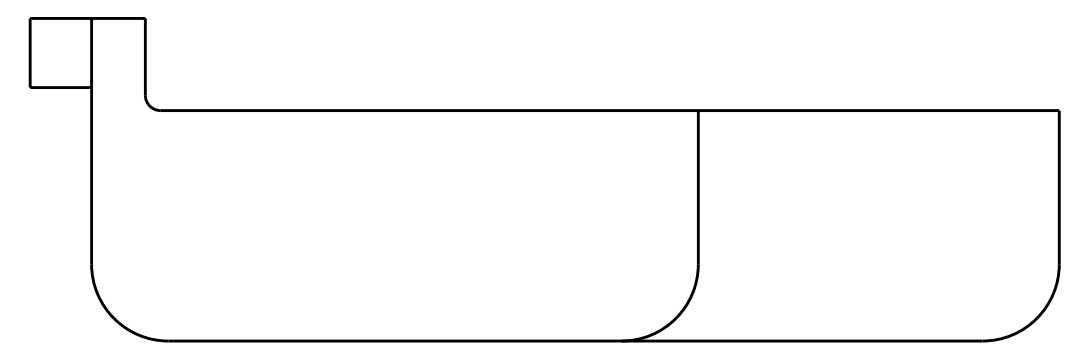
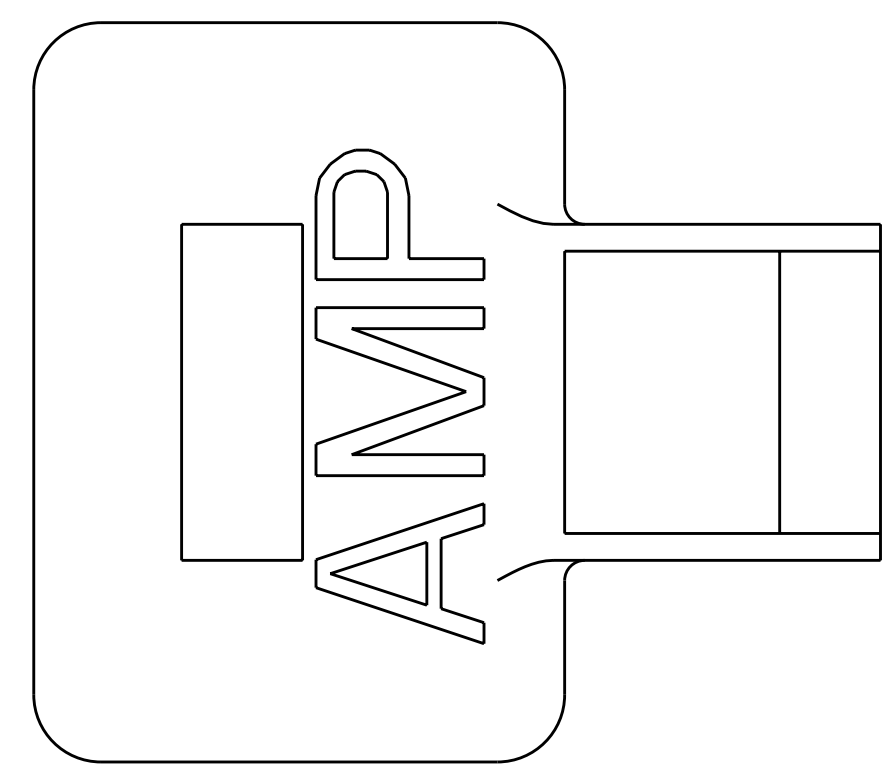
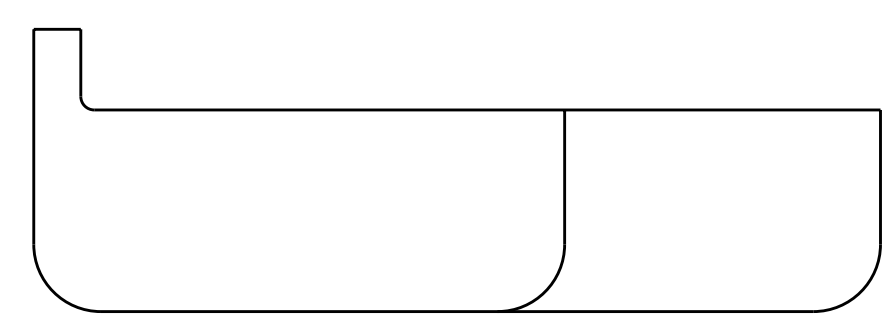
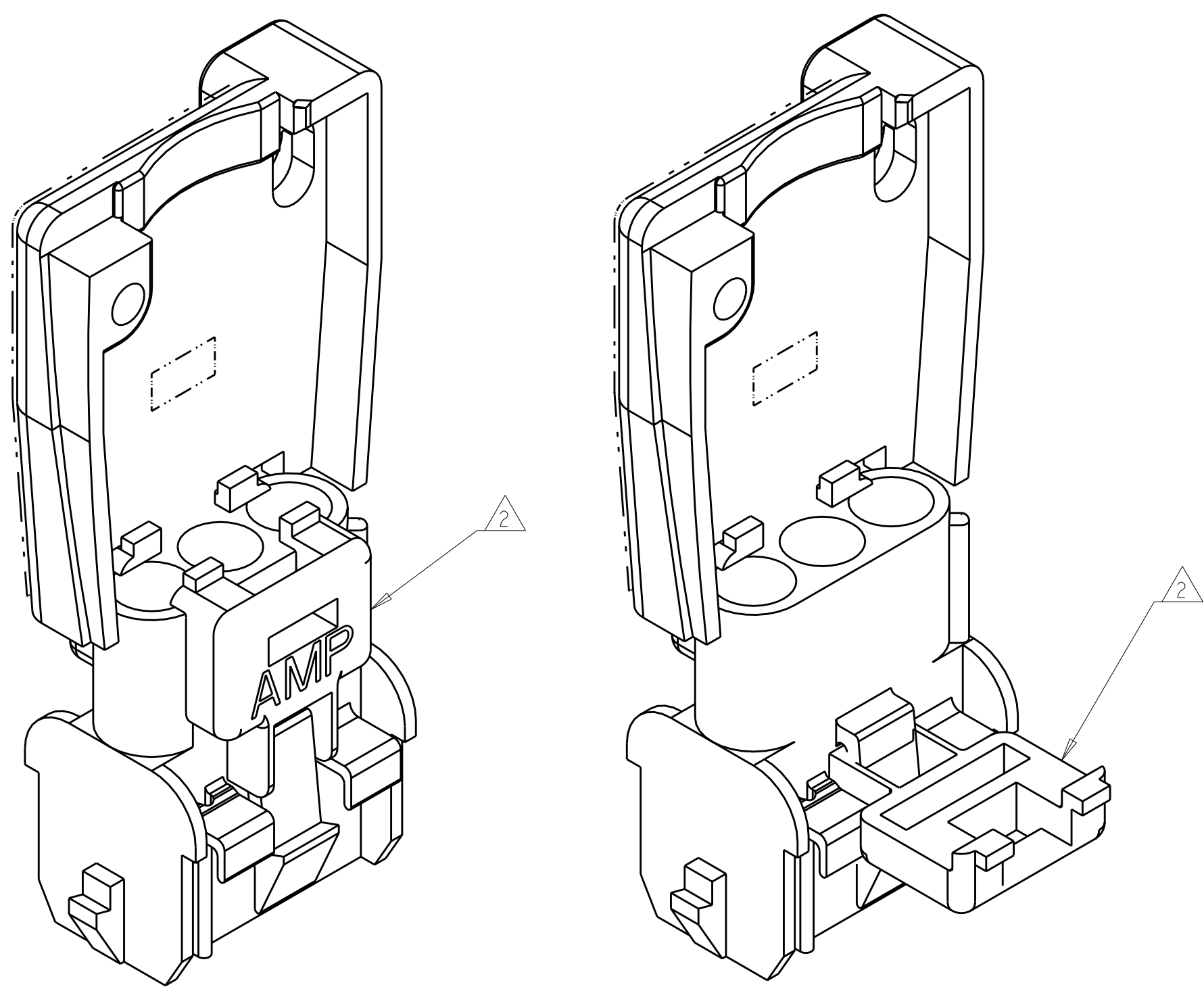
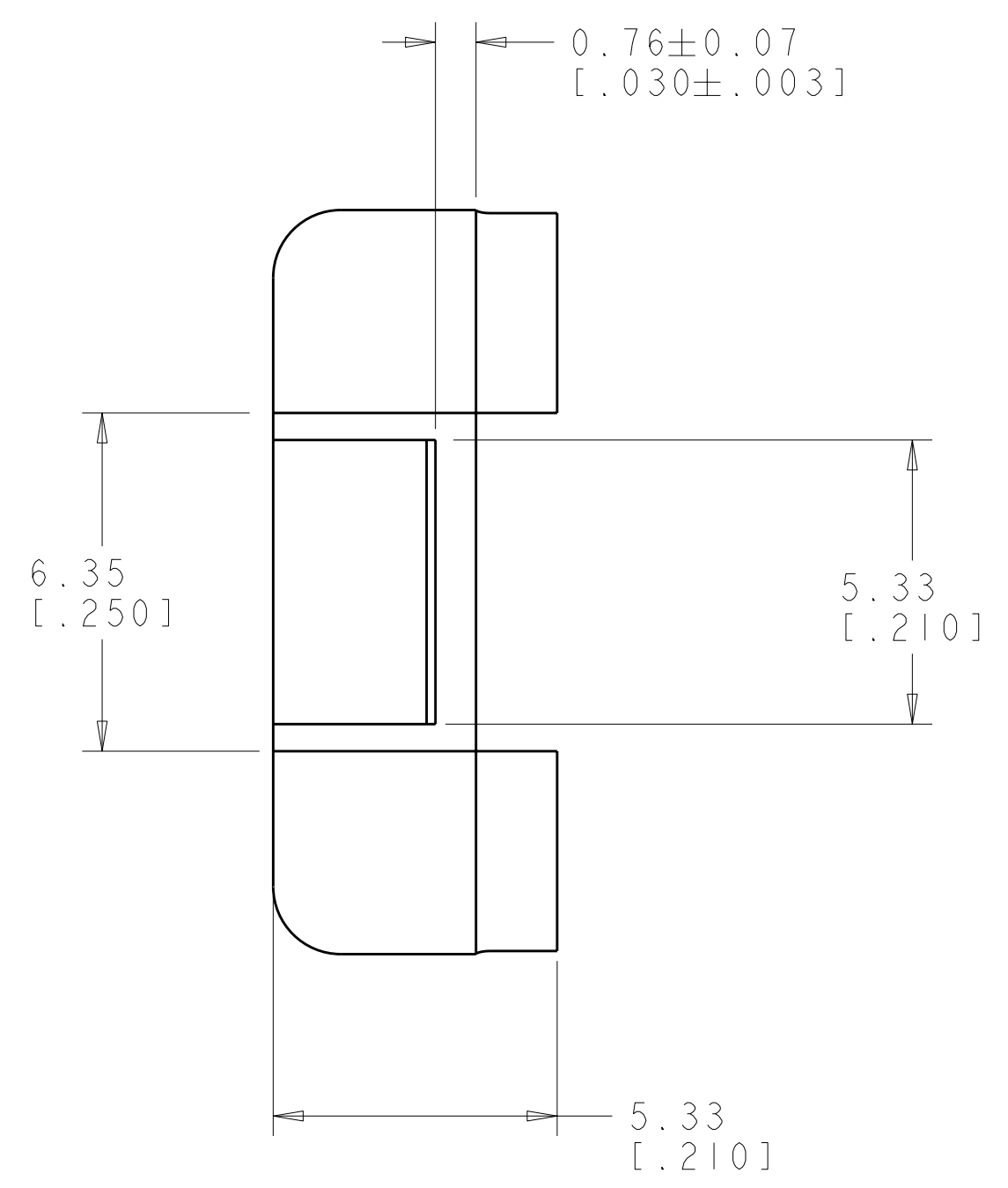
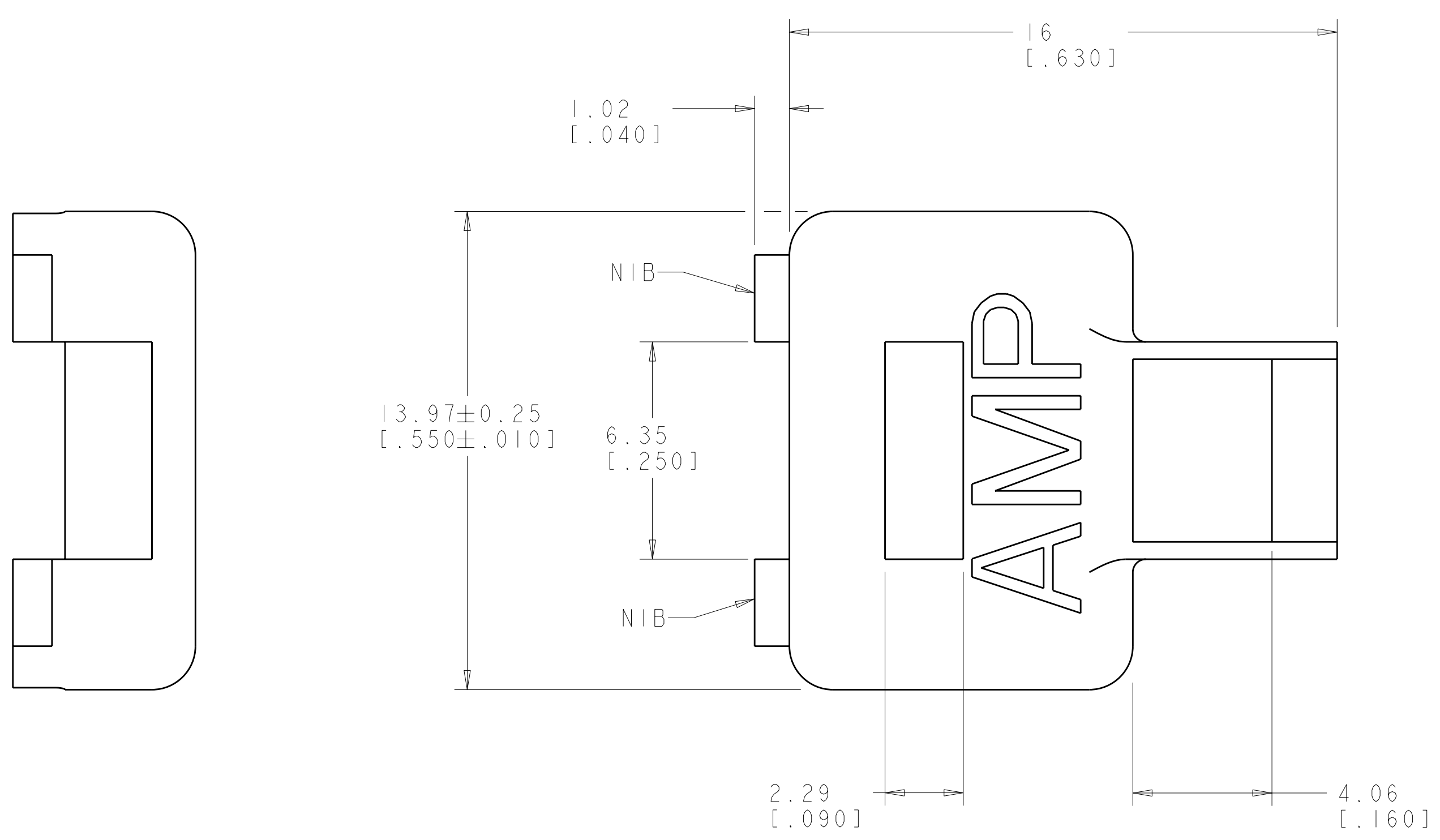


LOC	DIST	REVISIONS			
CM	00	REV	DATE	BY	APPD
		F2	16MAR2007	KW	DC



- FOR USE WITH 3, 4, 9, 12, AND 15 CIRCUIT CAP HOUSINGS AND APPROPRIATE STRAIN RELIEF (ENCLOSED VERSION).
- ADAPTER ATTACHES TO CAP HOUSING AS SHOWN PROVIDING FEATURE TO ATTACH STRAIN RELIEF.
- MATERIAL: NYLON UL94V-2.



ALTERNATE STYLE
641777-2

0.0239	BLACK	FOR STRAIN RELIEF	AS SHOWN (WITH NIBS)	641777-9
0.0239	GRAY	FOR STRAIN RELIEF	AS SHOWN (WITH NIBS)	641777-8
0.0236	NATURAL	FOR STRAIN RELIEF	ALTERNATE (WITHOUT NIBS)	641777-2
0.0239	NATURAL	FOR ASSEMBLY MODULE	AS SHOWN (WITH NIBS)	641777-1
VOLUME IN ³	COLOR	USAGE	STYLE	PART NO.

DIMENSIONS:		TOLERANCES UNLESS OTHERWISE SPECIFIED:		DWN		CHK		APVD		NAME	
mm [INCHES]		9 PLC	±	R. WHITAKER	16MAR2007	D. COLEY	16MAR2007	D. COLEY	16MAR2007	tyco Electronics	
		3 PLC	±0.13(.005)	Tyco Electronics		Harrisburg, PA 17105-3608		PRODUCT SPEC		ADAPTER, STRAIN RELIEF, UNIVERSAL MATE-N-LOK(TM) (FOR CAP HOUSING)	
		4 PLC	±	CUSTOMER DRAWING		SCALE 8:1		SHEET 1 OF 1		REV F2	
		ANGLES	40° 30'	MATERIAL		FINISH		WEIGHT		RESTRICTED TO	

